



The generator CH2-10000B with kit dead weight tester

✓ **Applications**

The range of compressors is designed to test, adjust and calibrate measuring instruments mechanical or electronic pressure by comparison (pressure gauges, pressure transmitters or sensors or switches).

These generators are equipped with a pressure tank visible level, two valves connected by a set of two-stage variable volumes. The capstan can generate the pressure pushing the fluid through the variable volumes to fittings provided for receiving the pressure instruments comparing. These compressors are designed for calibration comparison. They are sturdy and easy to use and have a very high long-term stability.

They have the opportunity to grow in dead weight tester by simply adding a kit with : a piezometric and a set of weights.

✓ **Technical specifications of the range CH3**

- Control/tests :	Our bench pressure are controled under the following conditions of use : Temperature 20°C - Pressure atmos. 1013.25 hPa - Humidity 50% - acceleration 9.80665 m/s ²
- Fluid :	Mineral oil or synthetic oil depending on the model colorless compatible with medical or food uses
- Tank :	125 cm ³
- Volume de fluid expelled :	61 cm ³
- Check/adjust the seat :	leveling bubble and adjustable feet
- Connection for the instrument to be tested :	connector M20x150
- Carter :	Light alloy aluminium AG3 + high-resistance paint
- Capstan :	Removable for transport
- Operating temperature:	18 to 28°C – 64 to 82°F

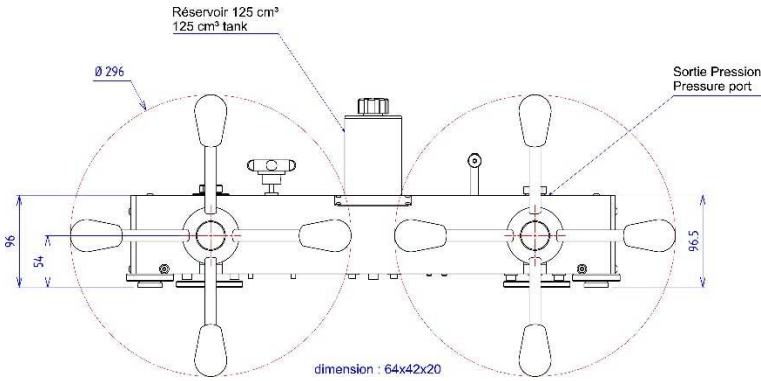
✓ **Specific model**

- Model :	CH3-10000B
- Measuring range :	0 to 10000 bar
- Sensitivity :	/
- Reference :	transmitter is delivered an option
- Weight comparator :	30 kg
- Fluid :	Oil Sebacate - fluid density : 915 kg/m ³
- Section of the pistons :	low pressure = 7 cm ² / High pressure = 0.2cm ² / very High pressure = 0.1 cm ²
- Number of piston :	3
- Material Piston/Cylinder :	P: BP = stainless steel + HP = tungsten carbide / C = treated steel
- Piping :	copper tube

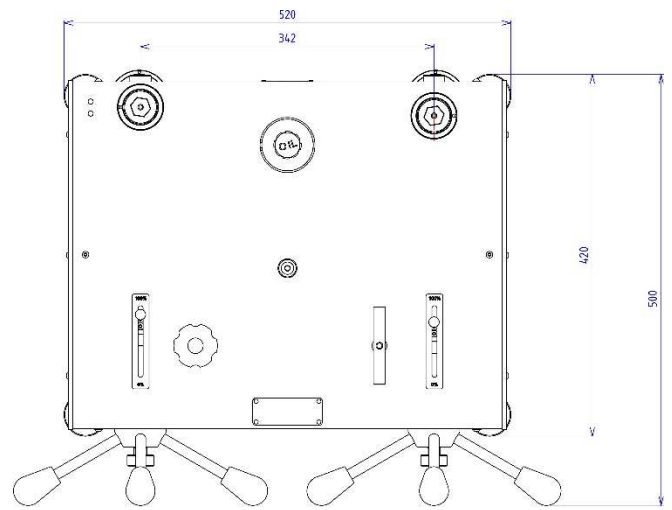
- Unit supplied with : Operating instructions / AREMECA calibration certificate traceable to national standards / unit data sheet / 0.5 liter mineral oil / G1/2 outlet connector / tools

Note: All our documents are delivered in French + English

✓ **Standard device dimensions**



dimension : 64 x 42 x 16 cm



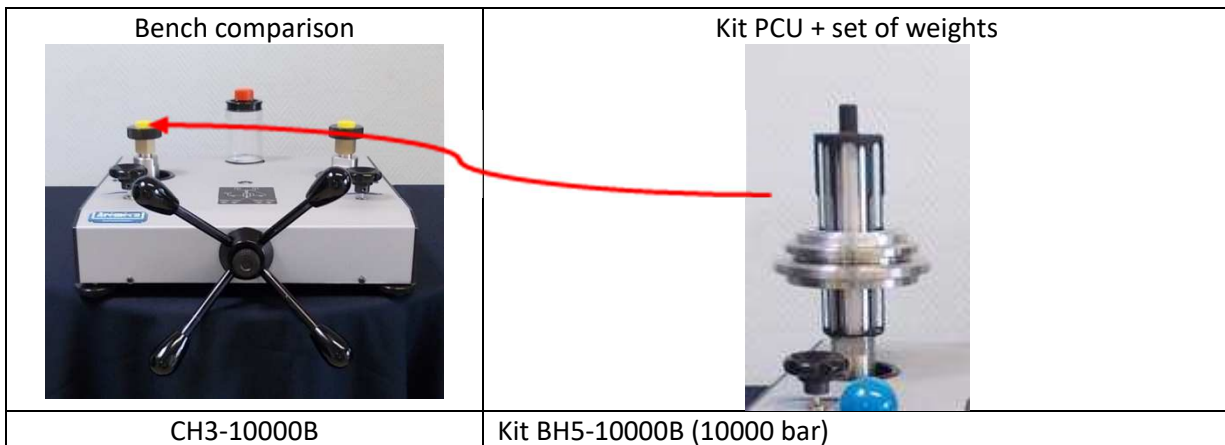
Unité utilisée : mm

✓ **Options of the generator**

No option

✓ **Conversion to dead weight tester**

PCU kit + set of weight : possibility of converting your comparison bench into a DWT



✓ **Accessories**



- Ref OP0057 Accessories suitcase
- Ref OP0025 drain kit for oil
- Ref OP0062 Cleaning bench
- Ref OP0250 Suitcase with 5 adaptors HP in M20x150
- Ref OP0194 fine adjustment valve

✓ **Suitcase for transport**

		<p>Ref OP00xx – Suitcase for dead weight tester or bench comparison (models BH5 or CH3 consult us !)</p>
---	---	--

✓ **Transport and packaging**

- **Packaging** : pack is provide for the shipping

Designation/Reference	Dimension / carton or shipping crate	Weight empty / total weight (packaging + device)
packaging	980 x 700 x 500 mm	Total weight ±52 kg



- Note: Shipping is extra. Size may vary if accessories are purchased with the unit.

✓ **Other models available in the range CH2**

(Datasheet is available on request or on our website : www.aremeca-instrumentation.com)

Models	Measuring range		
	Bar or kg/cm ²	PSI	kPa
CH2-4000B	0 à 4000	0 à 58000	0 à 400000
CH2-2000B	0 à 2000	0 à 29000	0 à 200000
CH2-1250B	0 à 1250	0 à 18000	0 à 125000
CH2-125B	0 à 125	0 à 1800	0 à 1250

You'll find other devices and accessories on our website: www.aremeca-instrumentation.com