



✓ **Applications**

The range of compressors is designed to test, adjust and calibrate measuring instruments mechanical or electronic pressure by comparison (pressure gauges, pressure transmitters or sensors or switches).

These pressure generators are equipped with a tank connected by a level visible to a variable volume valve. The capstan generates a pressure pushing the fluid through the variable volume compared to the connectors with instruments.

These compressors are designed for industry or laboratory. They are easy and robust.

✓ **Technical specifications of the range CEH**

- **Control/tests :** Our bench pressure are controled under the following conditions of use :  
Temperature 20°C - Pressure atmos. 1013.25 hPa - Humidity 50% - acceleration 9.80665 m/s<sup>2</sup>
- **Fluid :** Mineral oil or synthetic oil depending on the model colorless compatible with medical or food uses
- **Tank :** 80 cm<sup>3</sup>
- **Volume de fluid expelled :** 10 cm<sup>3</sup>
- **Check/adjust the seat :** nothing
- **Connection for the instrument to be tested :** swivel G1/2 standard – other optional fittings
- **Carter :** steel + high-resistance paint
- **Capstan :** Removable for transport - moving axis
- **Operating temperature:** 18 to 28°C – 64 to 82°F

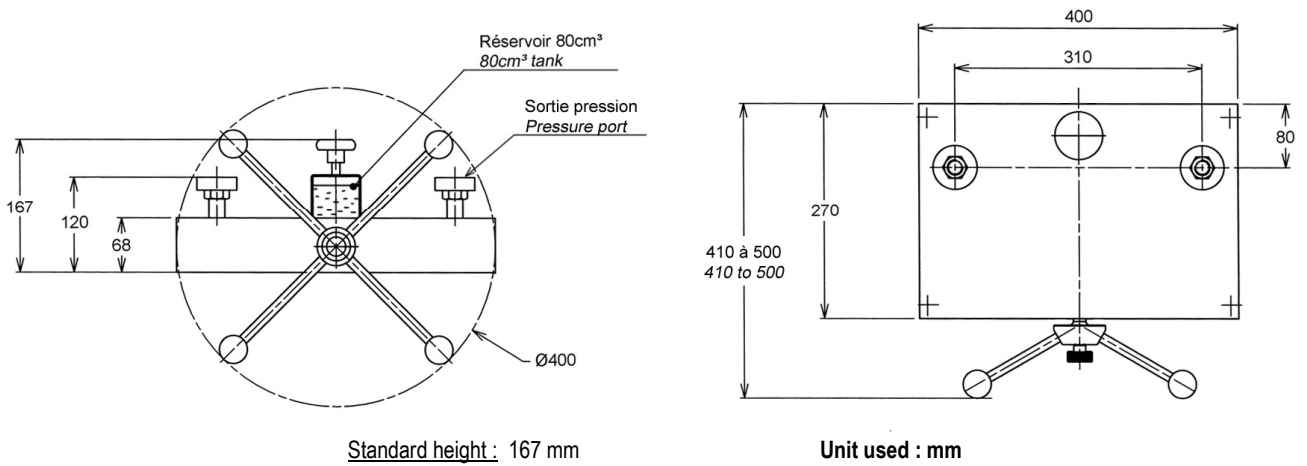
✓ **Technical product specifications**

- **Model :** CEH-1250B
- **Measuring range :** 0 to 1250 bar / 0 to 20000 PSI / 0 to 125000 kPa
- **Sensitivity :** 10% Pmaxi = 0.1 bar / 50% Pmaxi = 0.2 bar / 100% Pmaxi = 0.5 bar
- **Reference :** pressure gauge is delivered an option
- **Weight comparator :** 7.5 kg
- **Fluid :** Oil H32 - fluid density : 855 kg/m<sup>3</sup>
- **Section of piston :** 1.1 cm<sup>2</sup>
- **Number of piston :** 1
- **Material Piston/Cylinder :** P = stainless steel / C = treated steel
- **Piping :** stainless steel

- Unit supplied with : Operating instructions / AREMECA calibration certificate traceable to national standards / unit data sheet / 0.5 liter mineral oil / G1/2 outlet connector / tools

Note: All our documents are delivered in French + English


✓ **Standard device dimensions**



✓ **Options of the generator**

No option for this model

✓ **Shipping suitcase**

	<p>Ref OP0029 - metal cover for eco models</p>
--	--

✓ **Accessories**



Ref OP0057 Accessories suitcase

Ref OP0025 drain kit for oil

Ref OP0037 Suitcase with 17 adaptors type M + G + NPT + BSP-TR / Pressure max 1200 bar

Ref OP0062 Cleaning bench

Ref OP0171 Suitcase adaptors type G / Ref OP0172 Suitcase adaptors type NPT / Ref OP0173 Suitcase adaptors type BSP-TR / Ref OP0174 Suitcase adaptors type M

✓ **Transport and packaging**

- **Packaging** : pack is provide for the shipping

Designation/Reference	Dimension / carton or shipping crate	Weight empty / total weight (packaging + device)
<b>packaging</b>	480 x 480 x 340 mm	Total weight ±20 kg



- Note: Shipping is extra. Size may vary if accessories are purchased with the unit.

✓ **Other models available in the range CEH**

---

*(Datasheet is available on request or on our website : [www.aremeca-instrumentation.com](http://www.aremeca-instrumentation.com))*

Models	Accuracy	Measuring range		
		Bar or kg/cm <sup>2</sup>	PSI	kPa
CEH-800B	10 <sup>-3</sup>	0 to 800	0 to 11600	0 to 80000

You'll find other devices and accessories on our website: [www.aremeca-instrumentation.com](http://www.aremeca-instrumentation.com)