



✓ **Applications**

The range of compressors is designed to test, adjust and calibrate measuring instruments mechanical or electronic pressure by comparison (pressure gauges, pressure transmitters or sensors or switches).

These generators are equipped with a pressure tank visible level, two valves connected by a set of two-stage variable volumes. The capstan can generate the pressure pushing the fluid through the variable volumes to fittings provided for receiving the pressure instruments.

These compressors are designed for industry or laboratory. They are robust and easy to use and have a very high long-term stability.

They have the opportunity to grow in dead weight tester by simply adding a kit with : a set piezometric and a set of weights.

✓ **Technical specifications of the range CH2**

- Control/tests :	Our bench pressure are controled under the following conditions of use : Temperature 20°C - Pressure atmos. 1013.25 hPa - Humidity 50% - acceleration 9.80665 m/s ²
- Fluid :	Mineral oil or synthetic oil depending on the model colorless compatible with medical or food uses
- Tank :	125 cm ³
- Volume de fluid expelled :	61 cm ³
- Check/adjust the seat :	leveling bubble and adjustable feet
- Connection for the instrument to be tested :	swivel G1/2 standard – other optional fittings
- Carter :	Light alloy aluminium AG3 + high-resistance paint
- Capstan :	Removable for transport
- Operating temperature:	18 to 28°C – 64 to 82°F

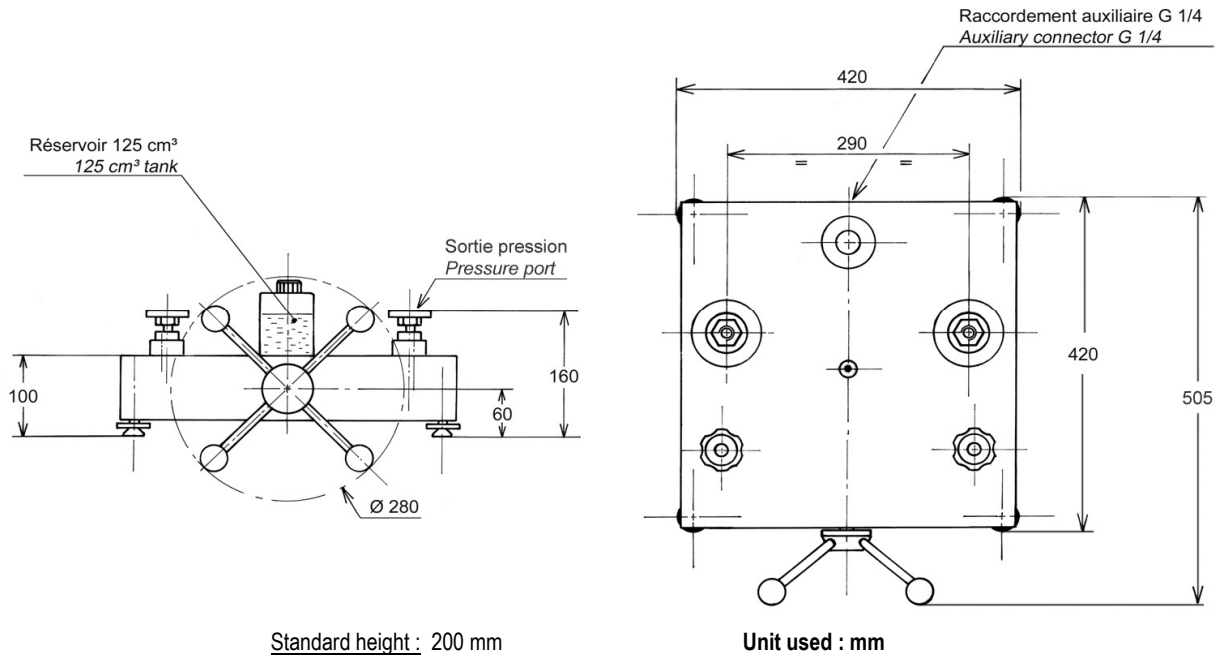
✓ **Technical product specifications**

- Model :	CH2-125B
- Measuring range :	0 to 125 bar / 0 to 2000 PSI / 0 to 12500 kPa
- Sensitivity :	10% Pmaxi = 0.1 bar / 50% Pmaxi = 0.2 bar / 100% Pmaxi = 0.5 bar
- Reference :	pressure gauge is delivered an option
- Weight comparator :	18 kg
- Fluid :	Oil H15 - fluid density : 845 kg/m ³
- Section of the piston :	7 cm ²
- Number of piston :	1
- Material Piston/Cylinder :	P = aluminum / C = treated steel
- Piping :	copper + polyamide

- Unit supplied with : Operating instructions / AREMECA calibration certificate traceable to national standards / unit data sheet / 0.5 liter mineral oil / G1/2 outlet connector / tools

Note: All our documents are delivered in French + English

✓ **Standard device dimensions**



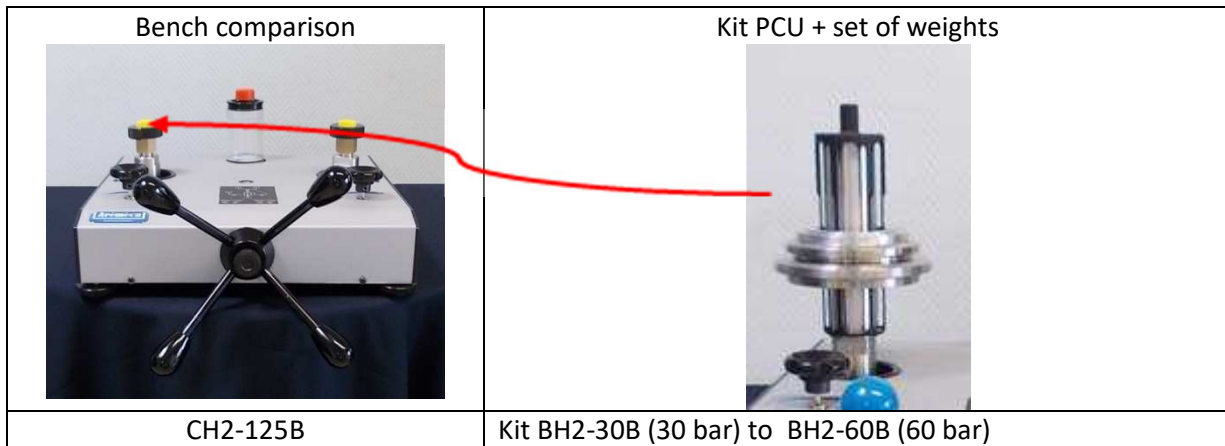
Standard height : 200 mm

✓ **Options of the generator**

- Ref SKY : adaptation corrosives fluid (skydroll, brake fluid)
- Ref OP0158 : reservoir pump 327cm²

✓ **Conversion to dead weight tester**

PCU kit + set of weight : possibility of converting your comparison bench into a DWT



✓ **Accessories**



Ref OP0057 accessories tools

Ref OP0023 Separator all fluids up to 800

Ref OP0025 Kit drain tank


ref OP0037 - suitcase with 17 connectors M + G + NPT + BSP-TR

Ref OP0171 suitcase connectors G / Ref OP0172 suitcase connectors NPT / Ref OP0173 suitcase connectors BSP-TR / Ref OP0174 suitcase connectors M

Ref OP0062 Bench cleaning

Ref OP0303 Control bloc for pressure gauges

✓ **Suitcase for transport**

	<p>Ref OP0002 – Suitcase for dead weight tester or bench comparison (models BH5 or CH3 consult us !)</p>
---	---

✓ **Transport and packaging**

- **Packaging** : pack is provide for the shipping

Designation/Reference	Dimension / carton or shipping crate	Weight empty / total weight (packaging + device)
packaging	480 x 480 x 340 mm	Total weight ±30 kg



- Note: Shipping is extra. Size may vary if accessories are purchased with the unit.

✓ **Other models available in the range CH2**

(Datasheet is available on request or on our website : www.aremeca-instrumentation.com)

Models	Accuracy	Measuring range		
		Bar or kg/cm ²	PSI	kPa
CH2-7000B	10 ⁻⁴	0 to 7000	0 to 101000	0 to 700000
CH2-4000B	10 ⁻⁴	0 to 4000	0 to 58000	0 to 400000
CH2-2000B	10 ⁻⁴	0 to 2000	0 to 29000	0 to 200000
CH2-1250B	10 ⁻⁴	0 to 1250	0 to 18000	0 to 125000

You'll find other devices and accessories on our website: www.aremeca-instrumentation.com